

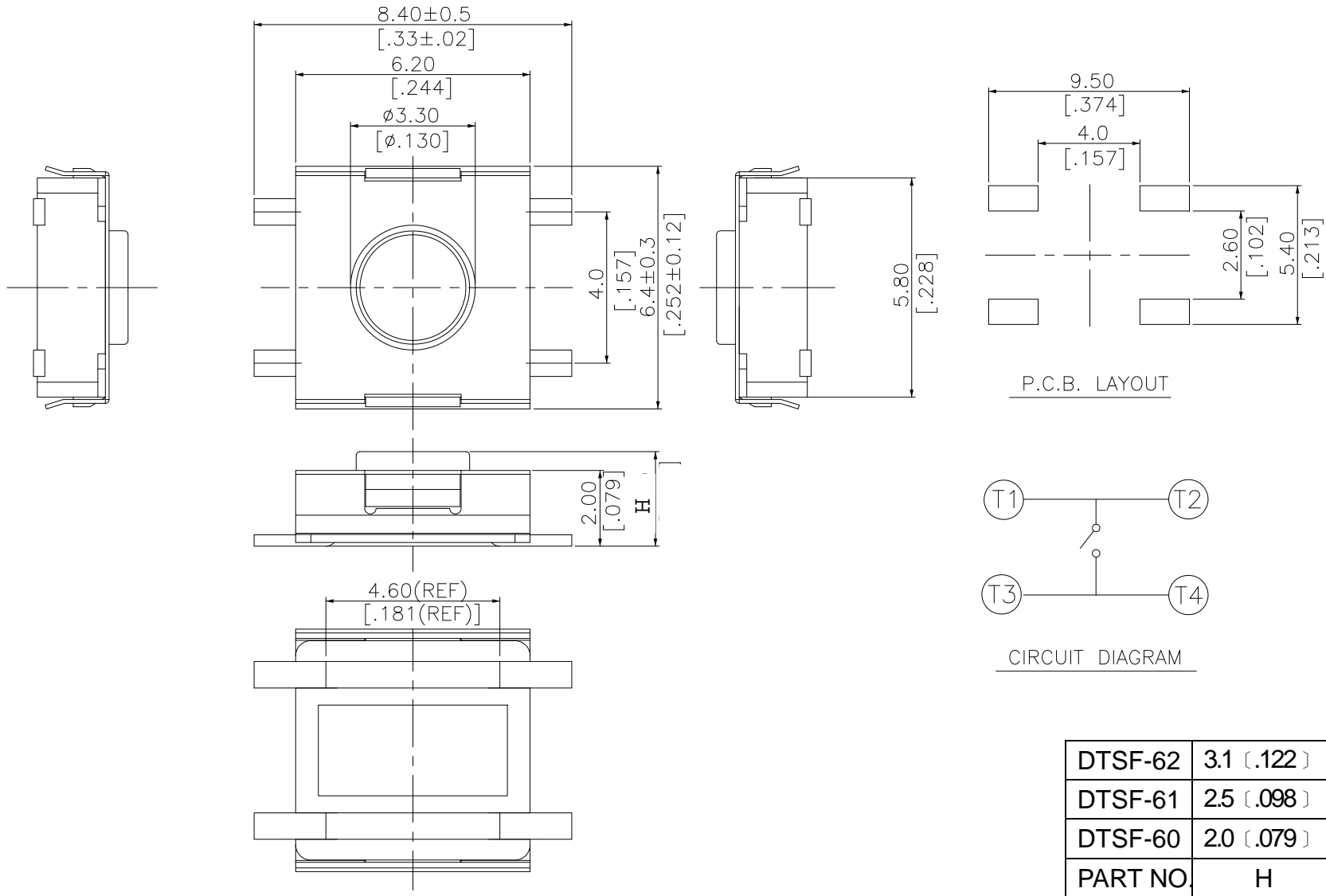


DTS(G)L-6, DTS(G)F-6 SERIES



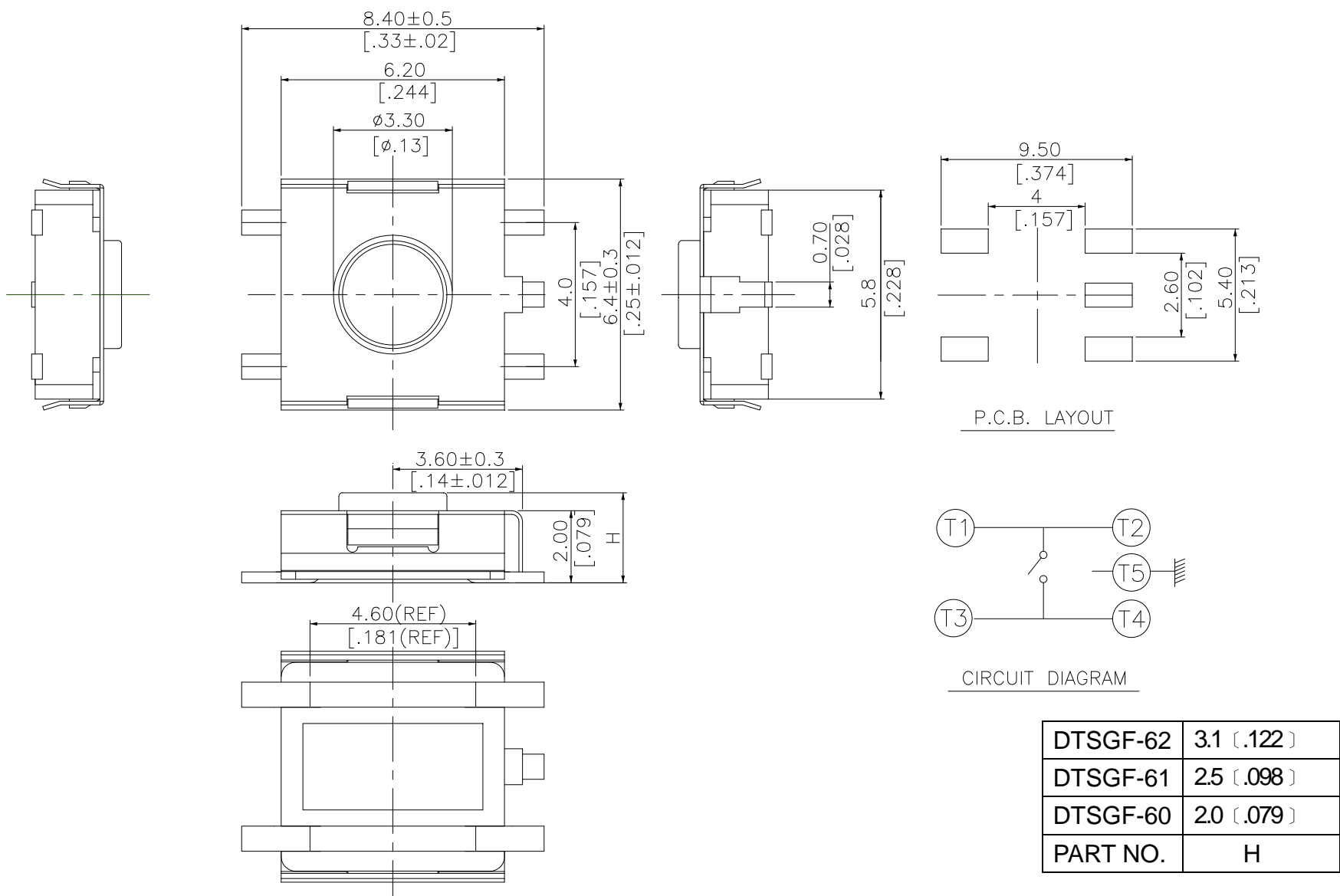
DIMENSIONS

DTSF-6



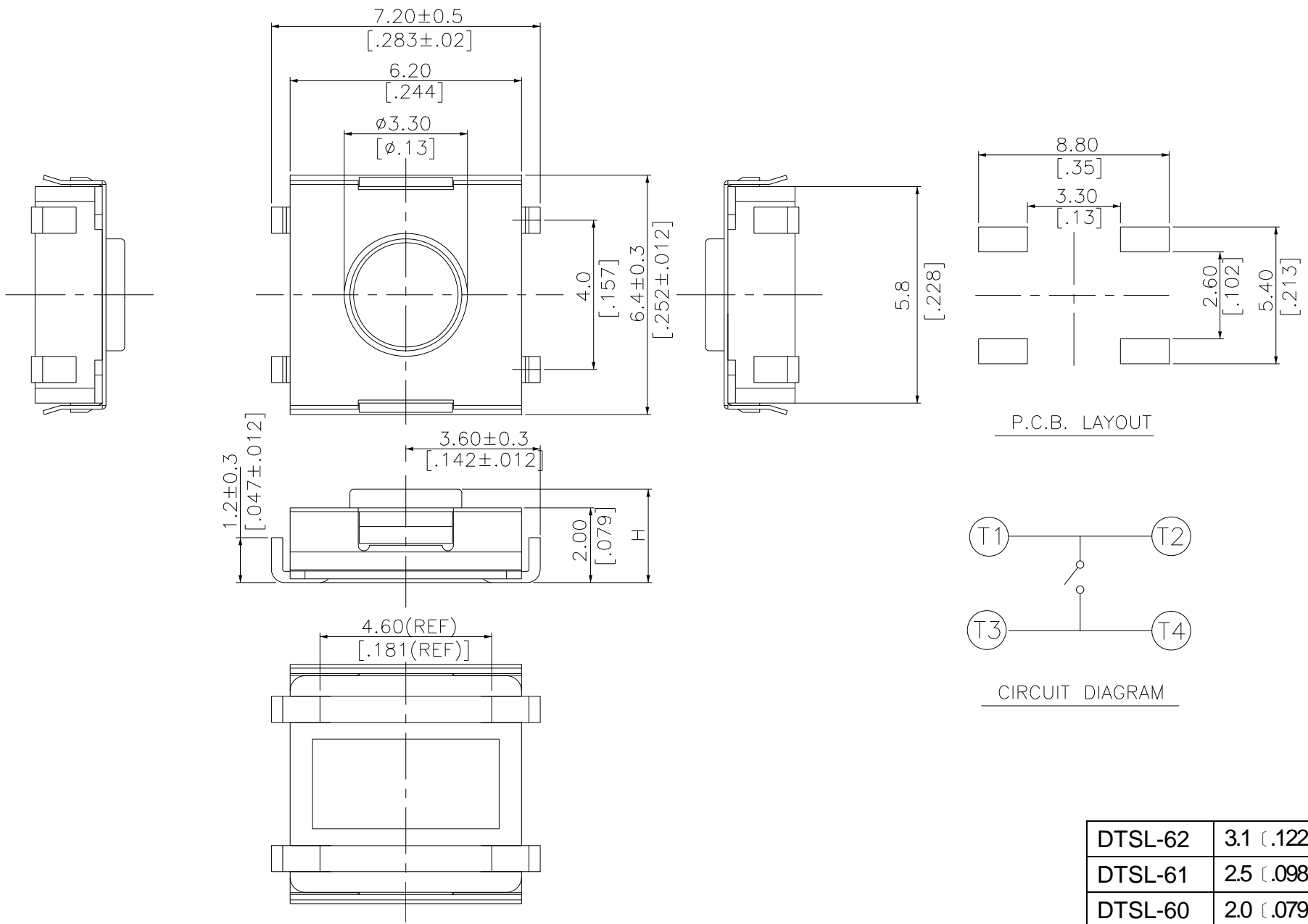
General Tolerance : ±0.2mm

DTSGF-6



General Tolerance : ±0.2mm

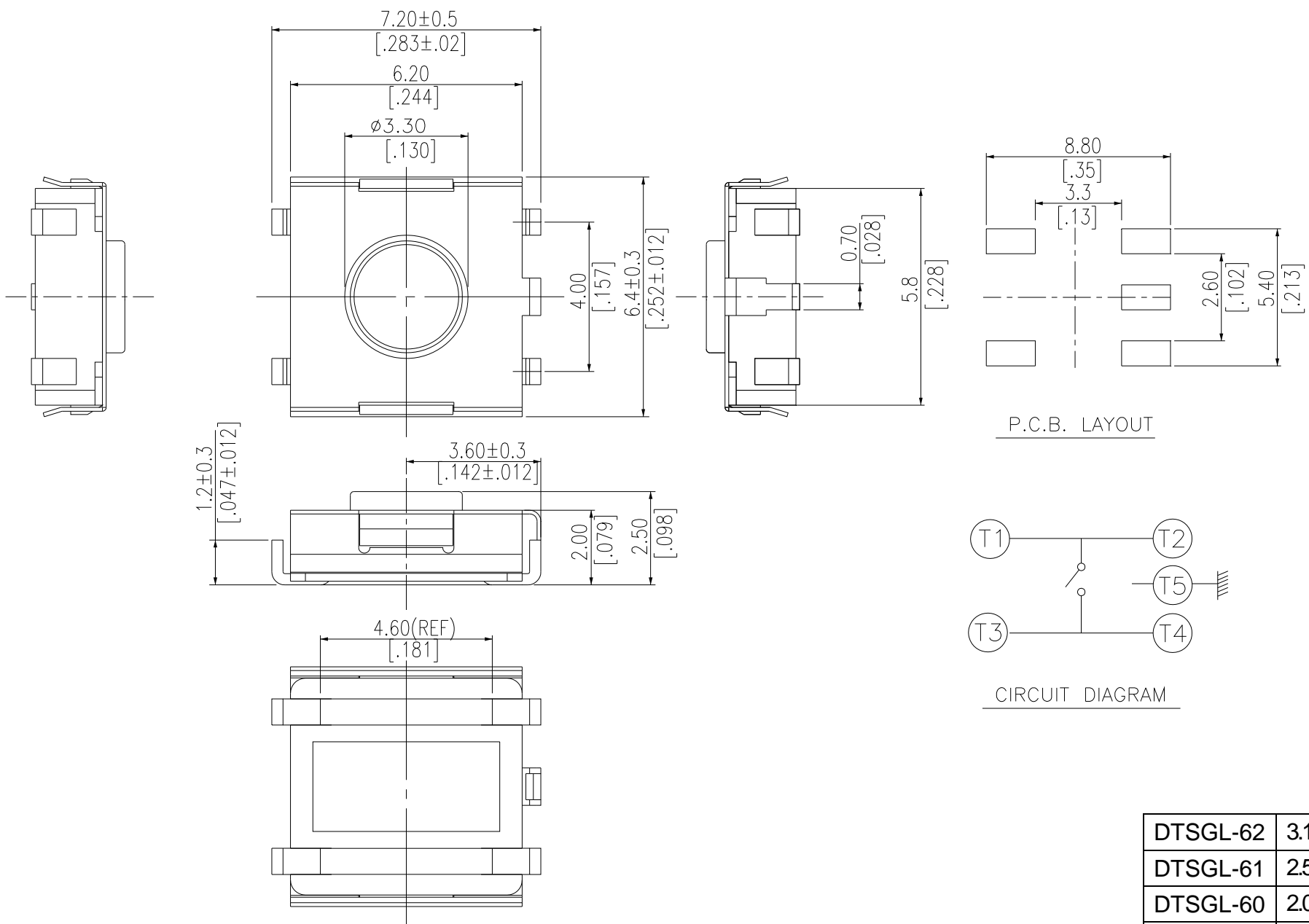
DTSL-6



General Tolerance : ±0.2mm

DTSL-62	3.1 [.122]
DTSL-61	2.5 [.098]
DTSL-60	2.0 [.079]
PART NO.	H

DTSG-6



General Tolerance : ±0.2mm

DTSG-62	3.1 [.122]
DTSG-61	2.5 [.098]
DTSG-60	2.0 [.079]
PART NO.	H

HOW TO ORDER

DTS □ □ - 6 □ □ □ - □ - □

Package Style :

B = Tube
T/R = Tape & Reel

Soldering :

V =RoHS & Lead Free Solderable
Q=Halogen Free

Stem Actuator :

□ = Soft <Only H : 3.1mm>
P = Hard <Actuator 3.1mm>

Color Of Stem For Operating Force :

K = Black,100g
N = Brown,160g
R = Red,260g
S = White,320g
Y = Yellow,520g
N = Brown,200g <Soft actuator 62 Only>

Total Height :

0 = 2.0mm
1 = 2.5mm
2 = 3.1mm

Terminal Type :

L = With L S.M.T Terminal
F = With F S.M.T Terminal

Prod. Series :

G = With Ground Terminal
□ = Without Ground Terminal

SPECIFICATION

△MECHANICAL

Operation Force: 100±50gf Black(K)
160±50gf Brown(N)
200±50gf Brown(N),62 Only
260±50gf Red(R)
320±80gf White(S)
520±130gf Yellow(Y)

Stroke: 0.25+0.2/-0.1mm

Operation Temperature: -25°C to +70°C

Storage Temperature: -30°C to +80°C

△ELECTRICAL

Electrical Life: 300,000 cycles for 320gf, 520gf
500,000 cycles for 260gf, 200gf
1,000,000 cycles for 100gf, 160gf

Rating : 50 mA , 12 VDC

Contact Resistance : 100mΩ max

Insulation Resistance : 100MΩ min , at 500 VDC

Dielectric Strength : 250 VAC / 1minute

Contact Arrangement : 1 pole 1 throw

MATERIAL

△COVER: Stainless steel (DTSL.F-6)
Nickel Silver (DTSGL.F-6)

△BASE: UL 94V-0 Nylon High-temp thermoplastic
Color: Black

△CONTACT DISC: Stainless steel

△TERMINAL: Brass with silver plated

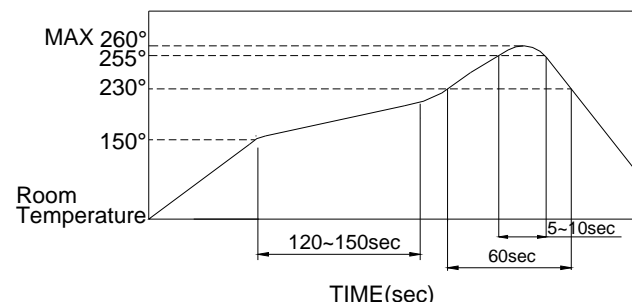
△STEM : UL94V-0 Nylon High-temp Thermoplastic
Color : Black(100gf) , Brown(160gf) , Red(260gf) ,
White(320gf) , Yellow(520gf)

Silicon Rubber Color : Brown (200gf)

SOLDERING CONDITIONS

△HAND SOLDERING : Use a soldering iron of 30 watts, Temperature Profile :
controlled at 350°C approximately max 5 seconds while
applying solder.

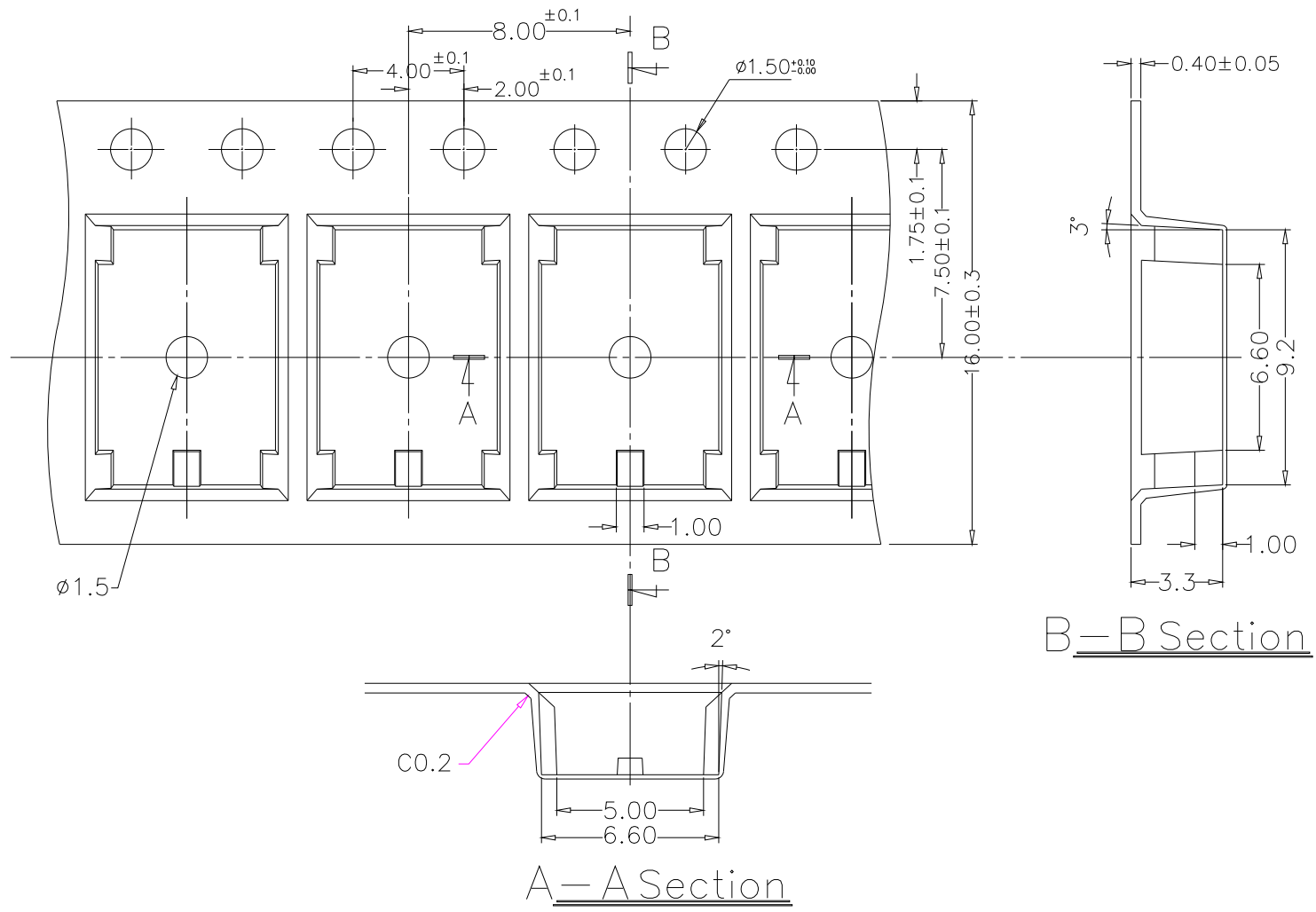
△REFLOW SOLDERING : When applying reflow
Soldering , the peak temperature or the reflow oven
should be set to 260°C max. Condition for soldering.
(Reflow & Non-washable type)



PACKING

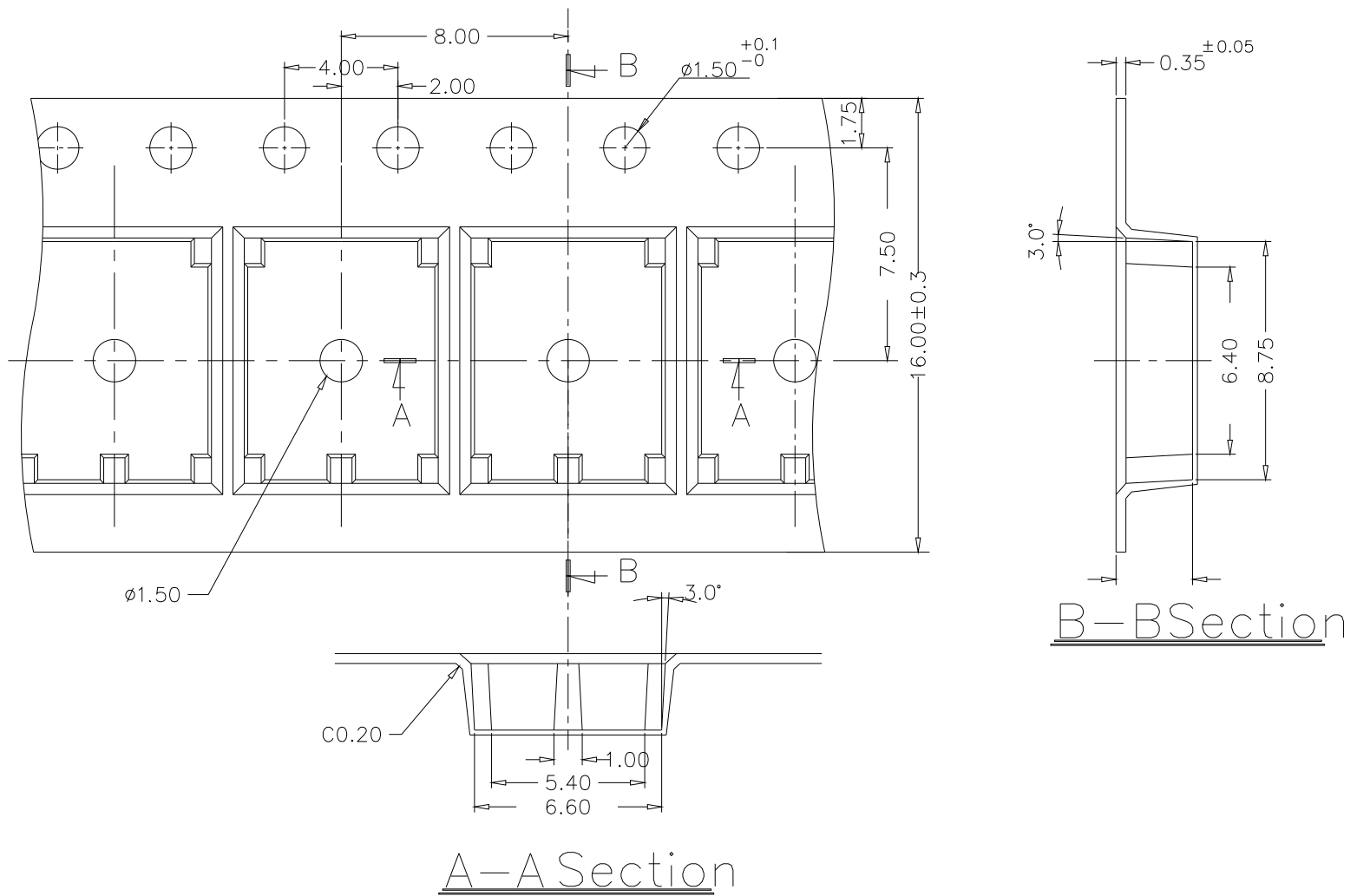
Part Number	Number Per Tube	Number Per Reel
DTS(G)L-60(1)	75	2700
DTS(G)F-60(1)	75	3000
DTS(G)L-62	75	2500
DTS(G)F-62	75	2500

DTS(G)L、F-62 REEL



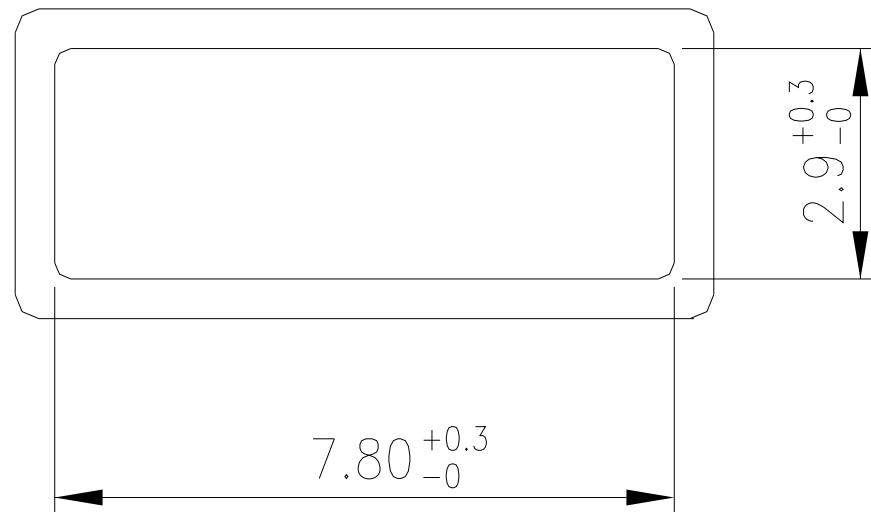
General Tolerance : ±0.1mm

DTS(G)L、F-60、61 REEL



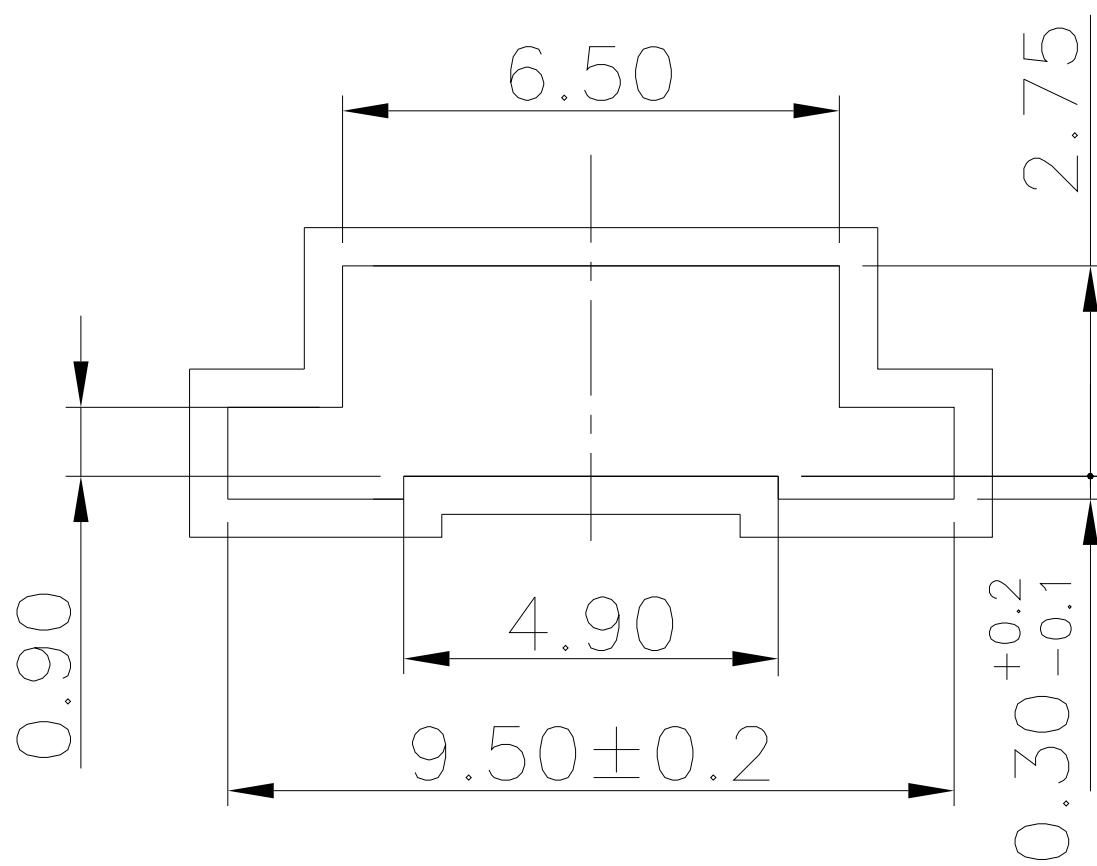
General Tolerance : ±0.1mm

DTS(G)L-6 TUBE



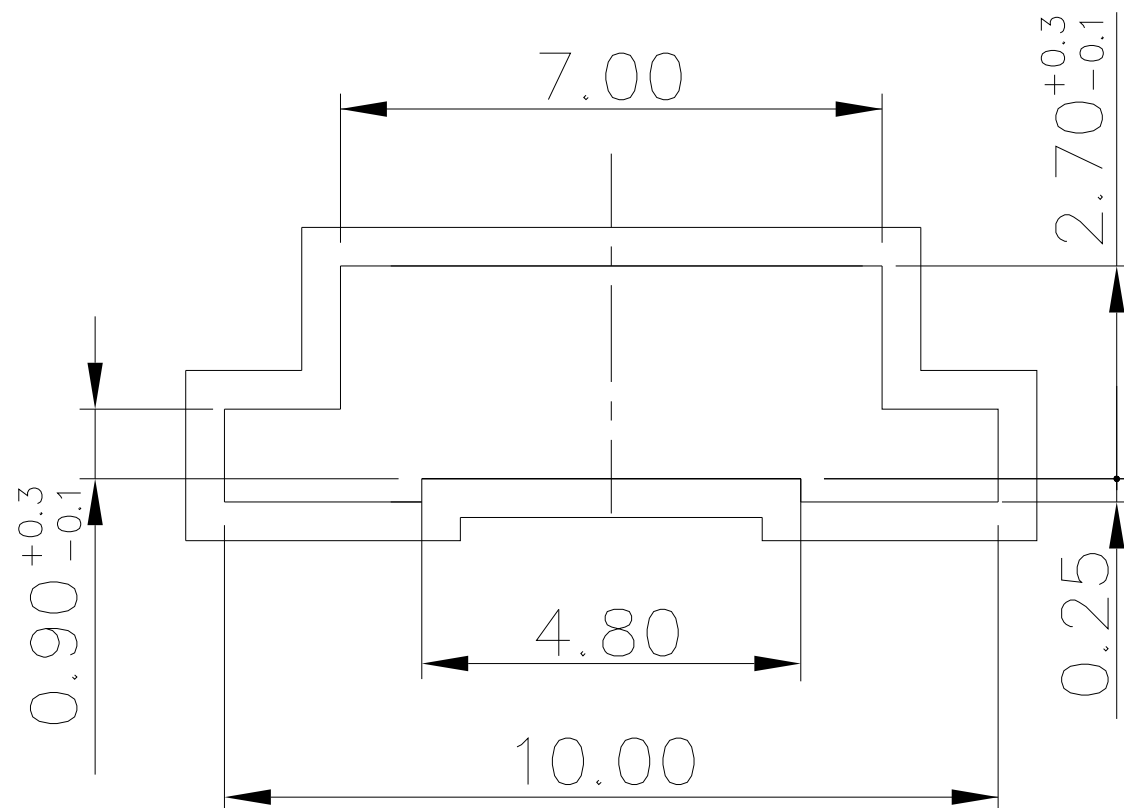
General Tolerance : ± 0.2 mm

DTSF-60、61 TUBE



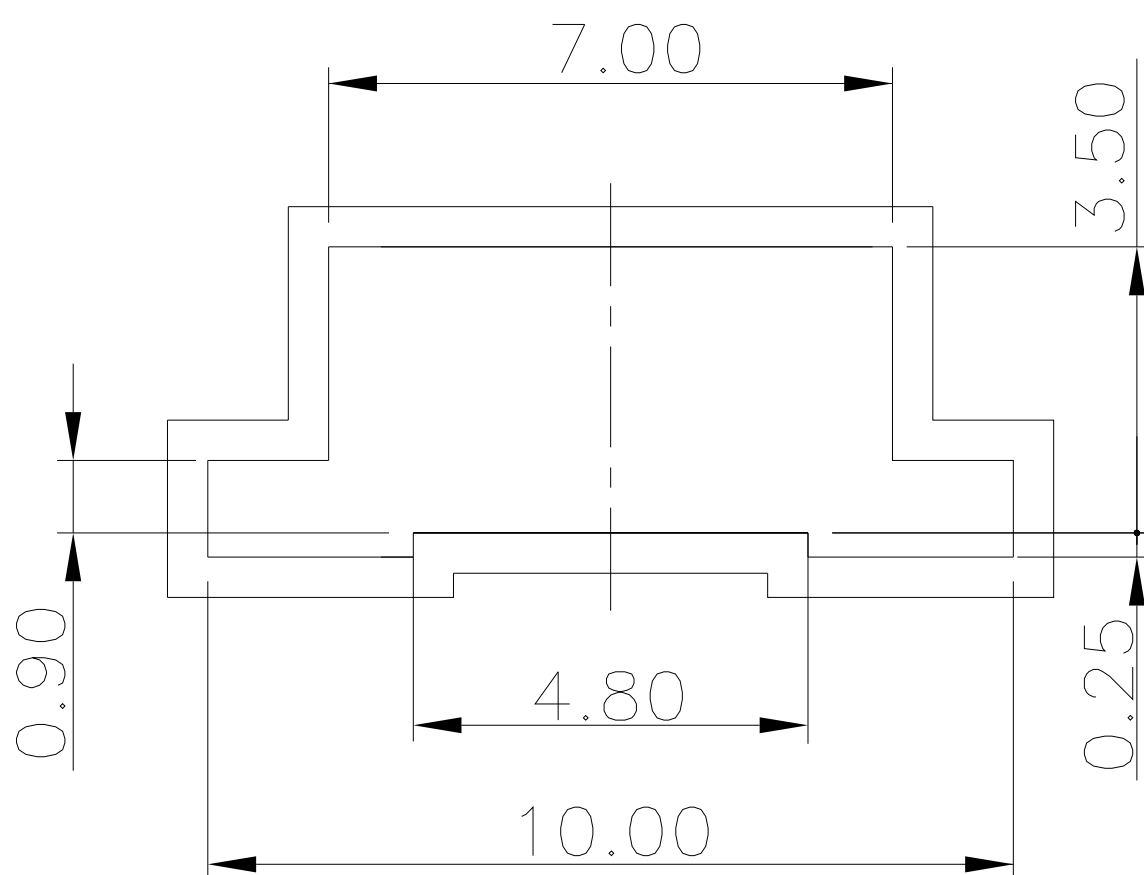
General Tolerance : ± 0.2 mm

DTSGF-60、61 TUBE



General Tolerance : $\pm 0.2\text{mm}$

DTS(G)F-62 TUBE



General Tolerance : $\pm 0.2\text{mm}$